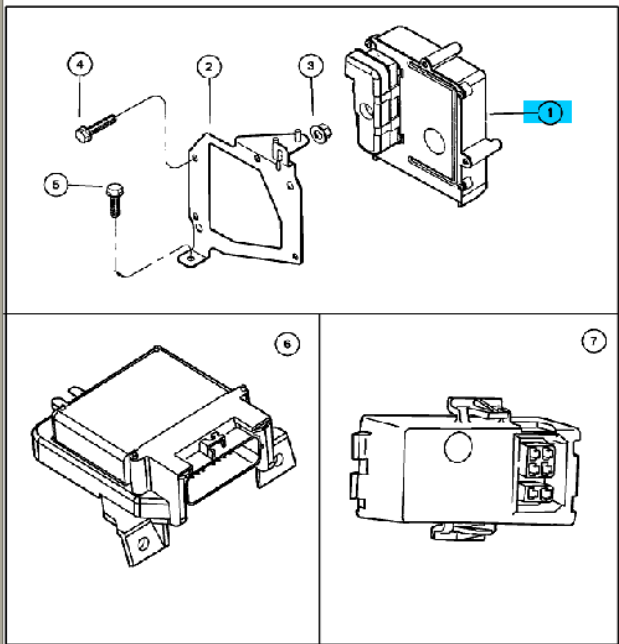


Add Note Show All Print Find

ITEM	PART NUM	DESCRIPTION	LINE	SERIES
<input checked="" type="checkbox"/>	1	4606 517AB	MODULE, EATX	
Part History Available...				
<input type="checkbox"/>	THE ABOVE PART SUPERSEDES TO:		4606 517AC	NON-INTERCHANGEABLE
<input type="checkbox"/>	THE ABOVE PART SUPERSEDES TO:		4606 517AD	NON-INTERCHANGEABLE
<input type="checkbox"/>	THE ABOVE PART SUPERSEDES TO:		4606 517AE	NON-INTERCHANGEABLE

Full Screen Restore Zoom Clear Print



Pick List: Untitled List Inv (F2) Send To:  Send... New List Open... Save... Delete Lists... Print... Prices Add... Delete Clear List Integration Setup...

Part Number	Description	Qty	List	Dealer	Wholesale	Fleet	STKORD
<input type="checkbox"/> 4606 517AB	MODULE, EATX	1	500.00	300.00			

Total: