

# INTRODUCTION

## CONTENTS

	page		page
<b>GENERAL INFORMATION</b>		<b>MANUFACTURER PLATE</b> .....	4
BODY CODE PLATE .....	2	<b>VEHICLE IDENTIFICATION NUMBER</b> .....	1
E-MARK LABEL .....	1		

## GENERAL INFORMATION

### E-MARK LABEL

An E-mark Label (Fig. 1) is located on the rear shut face of the driver's door. The label contains the following information:

- Date of Manufacture
- Month-Day-Hour (MDH)
- Vehicle Identification Number (VIN)
- Country Codes
- Regulation Number
- Regulation Amendment Number
- Approval Number

Date of Manufacture: 05-95 MDH: 052915			
VIN: XXXXXXXXXXXXXXXXX			
E4	21	0195002	E11
	26	0195001	
E5	10	010035	
	11	020011	
	18	010010	
	28	010016	
	46	010019	
	85	000044	
E11	12	030263	E11
			48
			005003

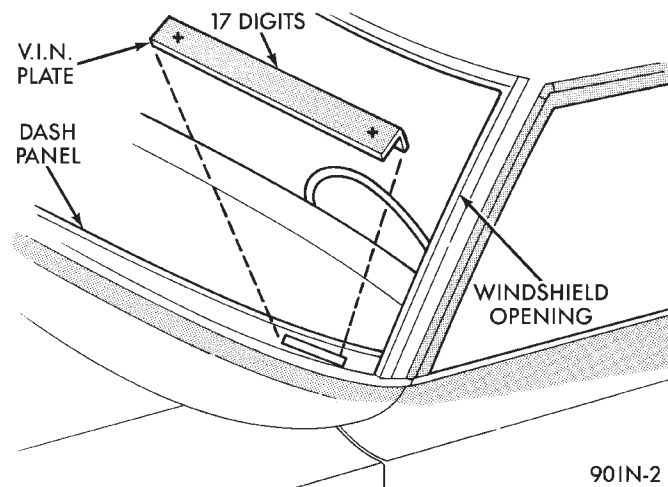
Country Code | Approval Number  
 Regulation Number | Amendment Number

80a47175

**Fig. 1 E-Mark Label**

### VEHICLE IDENTIFICATION NUMBER

The Vehicle Identification Number (VIN) is located on the upper left corner of the instrument panel, near the left windshield pillar (Fig. 2). The VIN consists of 17 characters in a combination of letters and numbers that provide specific information about the vehicle. Refer to VIN Code Breakdown table for decoding information.



**Fig. 2 Vehicle Identification Number (VIN Plate)**

VIN CODE BREAKDOWN

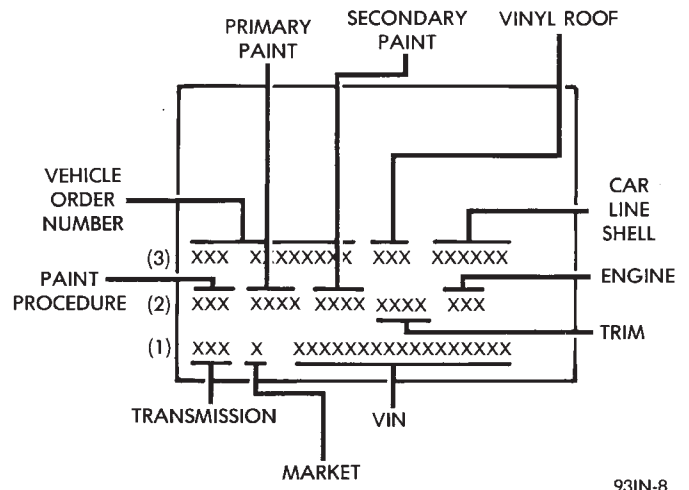
GENERAL INFORMATION (Continued)

POSITION	INTERPRETATION	CODE = DESCRIPTION
1	Country of Origin	1 = United States
2	Make	B = Dodge C = Chrysler P = Plymouth
3	Vehicle Type	3 = Passenger Car
4	Passenger Safety	E = Active Driver and Passenger Air Bags
5		J = Chrysler, Cirrus J = Dodge, Stratus J = Plymouth, Breeze
6	Series	4 = High Line 5 = Premium 6 = Sport
7	Body Style	6 = 4 Door Sedan
8	Engine	C = 2.0L 4 Cyl 16V Gasoline SOHC H = 2 .5L 6 Cyl Gasoline SOHC X = 2.4L 4 Cyl 16V Gasoline DOHC
9	Check Digit	See explanation in this section.
10	Model Year	X = 1999
11	Assembly Plant	N = Sterling Heights Assembly
12 through 17	Sequence Number	6 digit number assigned by assembly plant.

BODY CODE PLATE

LOCATION AND DECODING

The Body Code Plate (Fig. 3) is located in the engine compartment on the driver side strut tower. There are seven lines of information on the body code plate. Lines 4, 5, 6, and 7 are not used to define service information. Information reads from left to right, starting with line 3 in the center of the plate to line 1 at the bottom of the plate.



93IN-8

Fig. 3 Body Code Plate

## GENERAL INFORMATION (Continued)

**BODY CODE PLATE – LINE 3**

## DIGITS 1 THROUGH 12

Vehicle Order Number

## DIGITS 13, THROUGH 15

Vinyl Roof Code

## DIGITS 16 AND 17

Open space

## DIGITS 18 AND 19

Vehicle Shell Line

- JA

## DIGITS 20

Carline

- C = Chrysler
- D = Dodge
- H = Plymouth

## DIGIT 21

Price Class

- E = Economy
- H = High Line
- L = Low Line
- M = Mid Line
- P = Premium
- S = Special/Sport
- X = Performance Image

## DIGITS 22 AND 23

Body Type

- 41 = Four Door Sedan

**BODY CODE PLATE LINE 2**

## DIGITS 1, 2, AND 3

Paint procedure

## DIGIT 4

Open Space

## DIGITS 5 THROUGH 7

Primary paint

See Group 23, Body for color codes.

## DIGIT 8 AND 9

Open Space

## DIGITS 10 THROUGH 12

Secondary Paint

## DIGIT 13 AND 14

Open Space

## DIGITS 15 THROUGH 18

Interior Trim Code

## DIGIT 19

Open Space

## DIGITS 20, 21, AND 22

Engine Code

- ECB = 2.0L Four Cylinder SOHC Gasoline
- EEB = 2.5L Six Cylinder SOHC Gasoline
- EDZ = 2.4L Four Cylinder DOHC Gasoline

## DIGIT 23

Open Space

**BODY CODE PLATE LINE 1**

## DIGITS 1, 2, AND 3

Transaxle Codes

- DGL = 41TE 4-speed Electronic Automatic Transaxle
- DD5 = NV T350 5-Speed Manual Transaxle

## DIGIT 4

Open Space

## DIGIT 5

Market Code

- B = International

## DIGIT 6

Open Space

## DIGITS 7 THROUGH 23

Vehicle Identification Number

- Refer to Vehicle Identification Number (VIN) paragraph for proper breakdown of VIN code.

**IF TWO BODY CODE PLATES ARE REQUIRED**

The last code shown on either plate will be followed by END. When two plates are required, the last code space on the first plate will indicate (CTD)

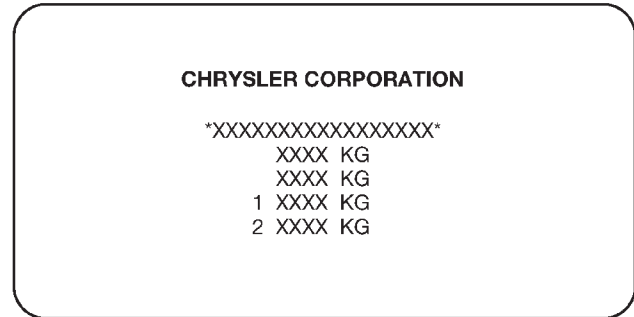
When a second plate is required, the first four spaces of each line will not be used due to overlap of the plates.

## GENERAL INFORMATION (Continued)

**MANUFACTURER PLATE**

The Manufacturer Plate (Fig. 4) is located in the engine compartment on the passenger side strut tower. The plate contains five lines of information:

1. Vehicle Identification Number (VIN)
2. Gross Vehicle Mass (GVM)
3. Gross Train Mass (GTM)
4. Gross Front Axle Rating (GFAR)
5. Gross Rear Axle Rating (GRAR)



80a47179

**Fig. 4 Manufacturer Plate**